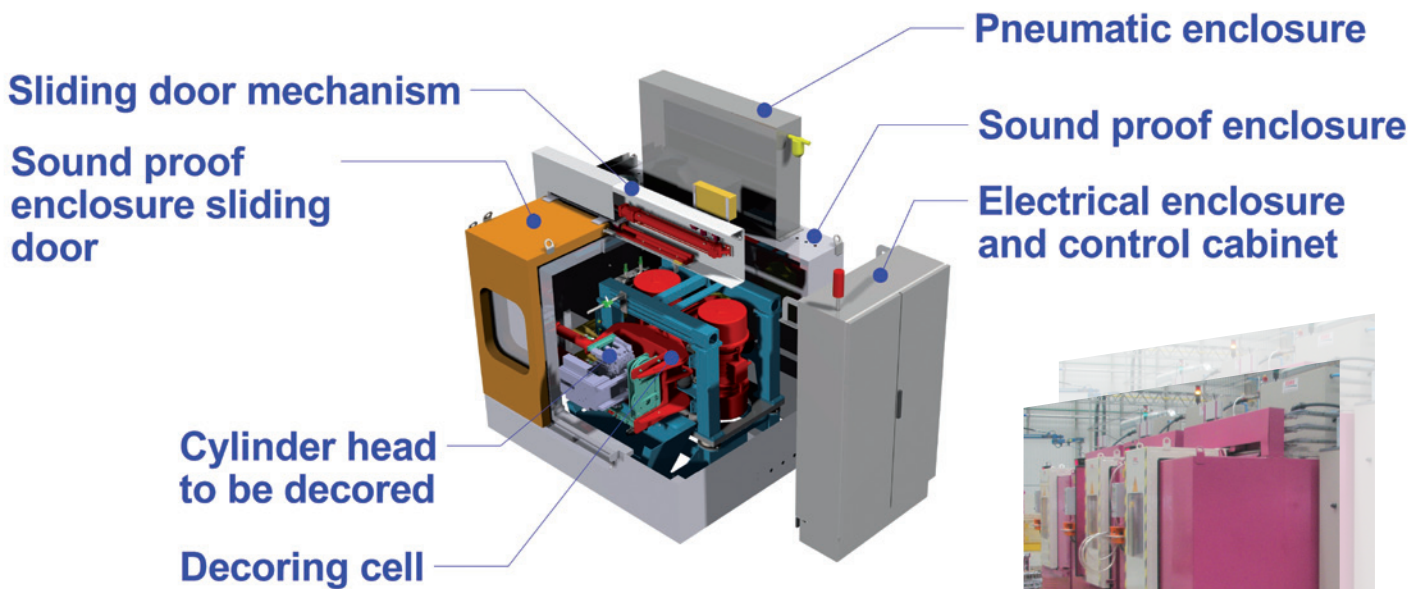


DECORING MACHINE

BY

SINEX
INDUSTRIE

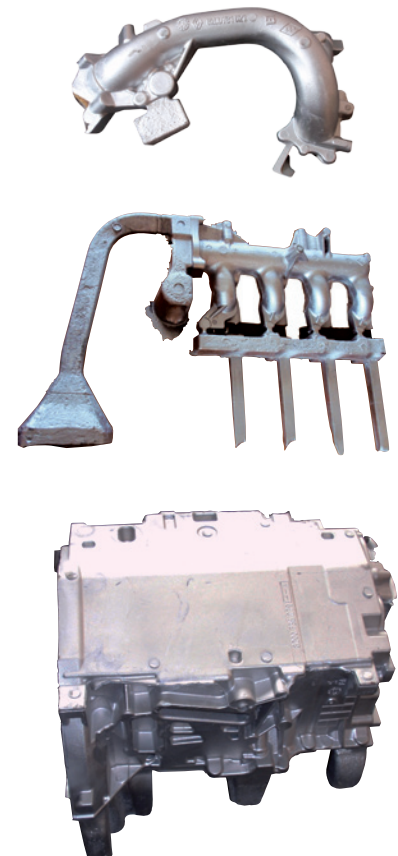


▶ THE OUTSTANDING SOLUTION FOR THE CORE ELIMINATION

Having derived strength from its experience in vibrating technology, SINEX had perfected a range of, at the same time, ergonomic and high performing equipment.

▶ Advantages of the SINEX decorating machine :

- Very quick and high quality decorating, from 60 to 120 parts per hour, depending of the casting (cylinder heads, pump casing, intake manifold ...) and the number of cylinders/cycle....
- A machine "tailor made" dedicated to customer requirements
- The equipment is delivered as a package
- Important reduction of the production costs
- Low cost of maintenance
- Distinct improvement in the work conditions
- After-sales service guaranteed
- Soundproof enclosure included





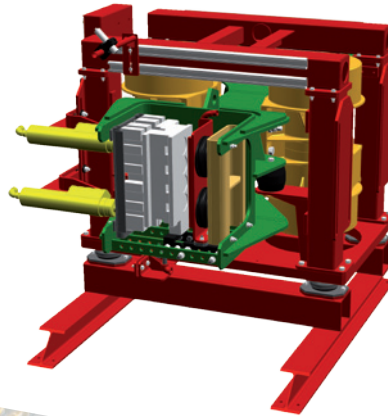
1. DECORING MODULE THE HEART OF THE SYSTEM

Main Features

- | |
|--|
| • Noise level <85 dba @ 1 m |
| • Manual or automatic loading |
| • Parts up to 60 kg |
| • Avg. Part size (LxlxH) : 450x300x250mm |
| • Air supply 6 bars |
| • High efficiency decoring |
| • Remaining Sand : 3g max. without lumps |
| • Sand drainage hopper included |
| • Typical cycle* : 60 s |
| • Hammering* = 15 s |
| • Vibrating * = 45 s (including sequential blowing)
<i>Hammering, vibrating and blowing times can be adjusted</i> |
| • Rated Power : from 2x2.2 kw to 2x11 kw |

*To be confirmed after tests depending on parts size

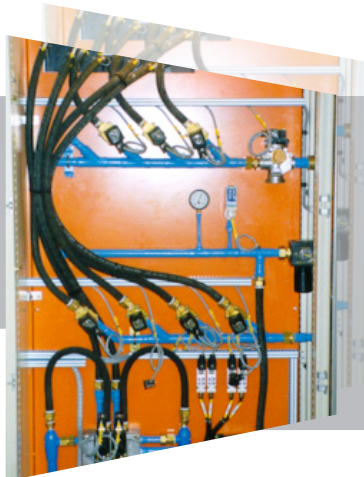
TWO CYLINDERS
PER CYCLE



ONE CYLINDER
PER CYCLE



ELECTRICAL ENCLOSURE



PNEUMATIC ENCLOSURE



2. AUXILIARIES

The decoring machine is supplied as a package along with its auxiliaries :

- Pneumatic enclosure
- Electrical and control panel with PLC



3. SERVICES

A testing machine is available at our facility and allows us to validate the decoring efficiency

- Our technicians are involved in commissioning and start-up phase at customer place
- Our technicians will train operating personnel on site
- Our engineers will design machine as per customer requirements and interfaces

SINEX

I N D U S T R I E

SINEX Industrie

6 route de claix 16400 La couronne

Tel : 05 45 67 18 45 / Fax : 05 45 67 49 61

Mail : infos@sinex-industrie.com

Come visit us at www.sinex-industrie.com

